

3. INSTALLING THE WALL TRANSMITTER

WARNING! HOOK UP "IN SERIES" ONLY. DO NOT CONNECT NEUTRAL SUPPLY WIRE OF ELECTRIC CIRCUIT TO THE TRANSMITTER WALL SWITCH, DAMAGE TO THE TRANSMITTER WALL SWITCH AND POSSIBLE FIRE COULD OCCUR.

- a. Remove the existing wall plate and switch from the wall outlet box.
- b. Make the electrical connections as shown in Fig. 4. If your outlet box has a ground wire (Green or Bare Copper) connect the Transmitter's ground wire directly to one of the screws from the outlet box. Secure all wire connections with the plastic wire nuts provided.
- c. Carefully tuck the wire connections inside the outlet box. Use the screws provided to secure the wall transmitter and wall plate to the outlet box. (Fig. 5)

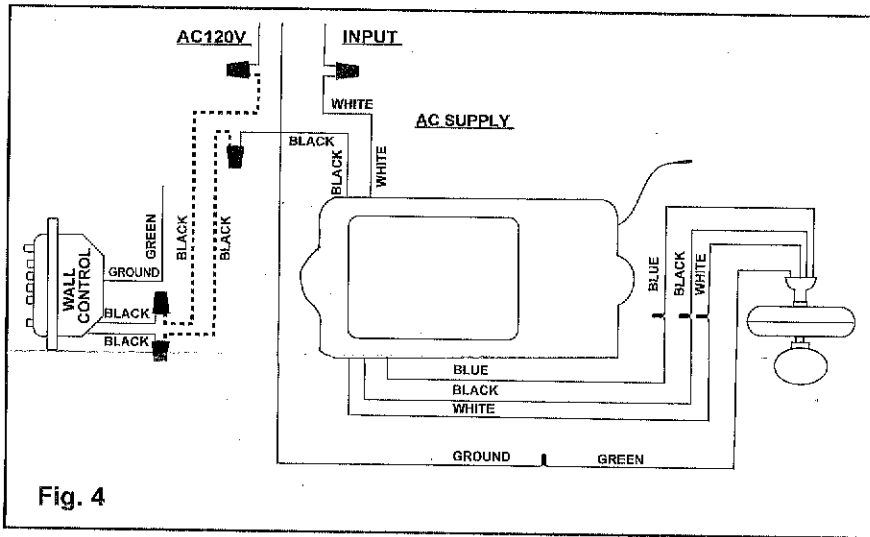


Fig. 4

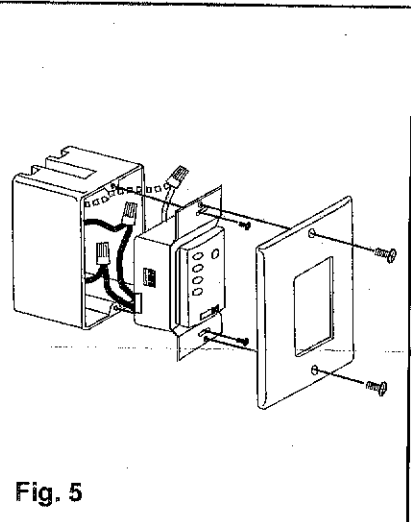


Fig. 5

- d. Operation buttons on the panel of the transmitter (Fig. 6):

HI key- for fan high speed.

MED key- for fan medium speed.

LOW key- for fan low speed.

FAN OFF key- for fan speed off.

LIGHT key- for light brightness and off. **(On/Off function only for LED and florescent light.)**

- The light function is controlled by pressing the LIGHT key. Hold key down to increase or decrease light. Tap key quickly to turn light off or on.

- Keep pressing the button in excess of 0.7 second it becomes a dimmer, the light varies cyclically in approximate 8 second.

- The light key has auto resume, so will stay at the same brightness as the last time it was turned off.

YOUR REMOTE NOW HAS FULL CONTROL OF THE FAN AND LIGHT.

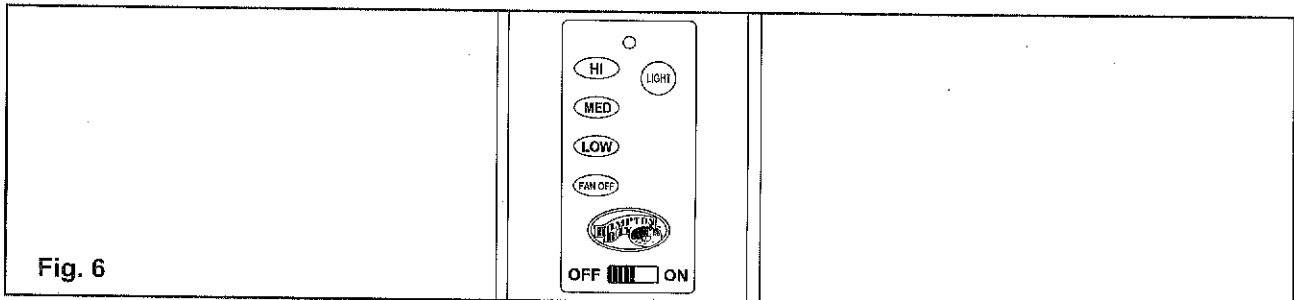


Fig. 6

4. TROUBLE SHOOTING

1. Fails to operate:
 - a. Power to receiver?
 - b. Receiver wired correctly?
 - c. Fan manual speed control in highest position?
 - d. Light kit switch turned on?
 - e. Code set at exact same positions in both transmitter and receiver?
2. Won't operate at distance

If transmitter operates fan/light kit when up close, but not at 20 feet away, try placing the black antenna wire higher; up through ceiling/outside the junction box.

NOTICE!

Your ceiling fan and light kit assembly must meet the following requirements:

1. Do not use with solid state fans.
2. Electrical rating: 120V 60Hz 3.5A
MAX. motor amps: 1.0
MAX. light watts: 300
(for incandescent and halogen bulbs only)

Distributed by Home Depot U.S.A., Inc.
2455 Paces Ferry Rd. N.W.
Atlanta, Georgia 30339

TOLL FREE 1-877-898-1881